

FIG. 1

TD4060" BTTH50

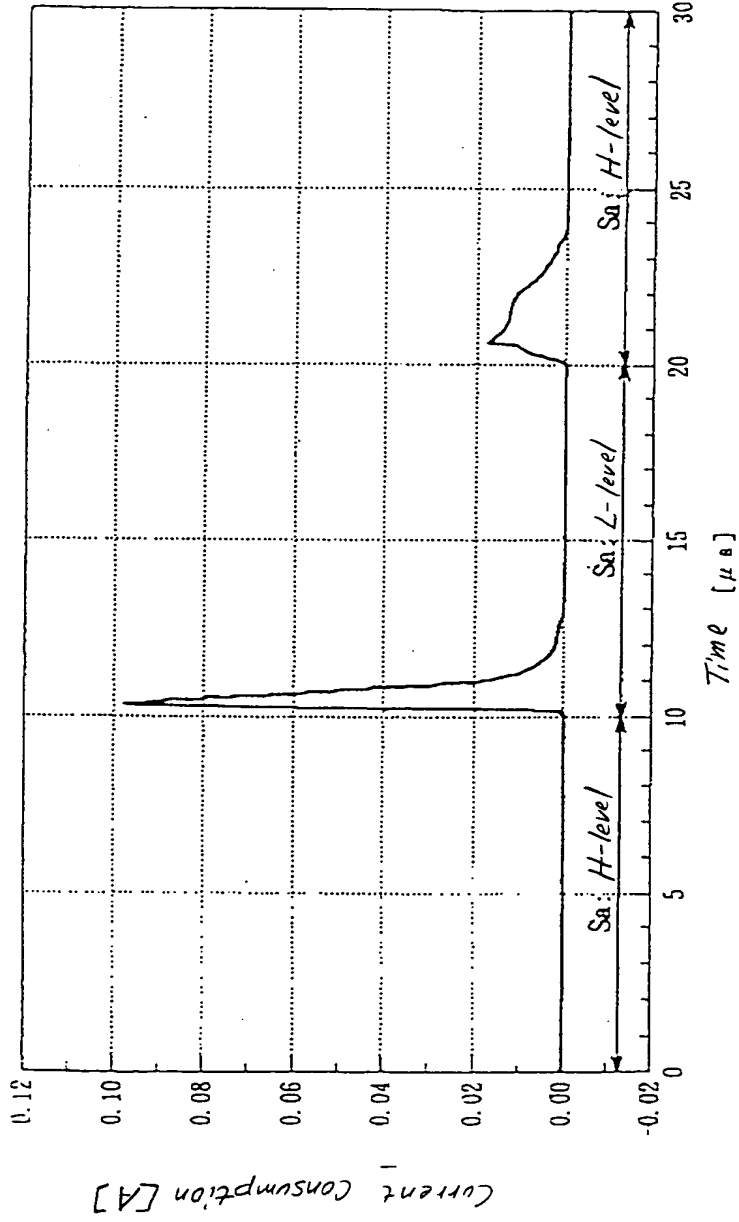


FIG. 3

2/3

PHOTO" 8TFH660

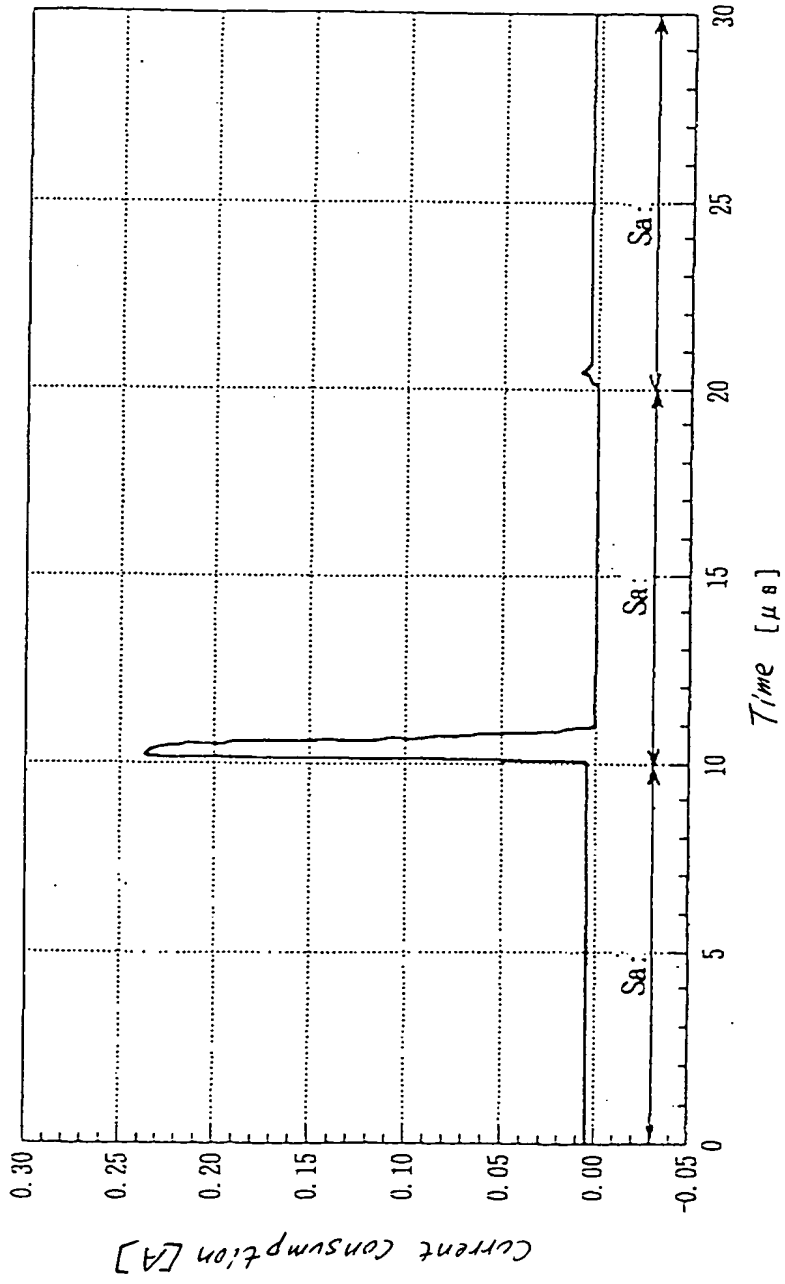


FIG. 4

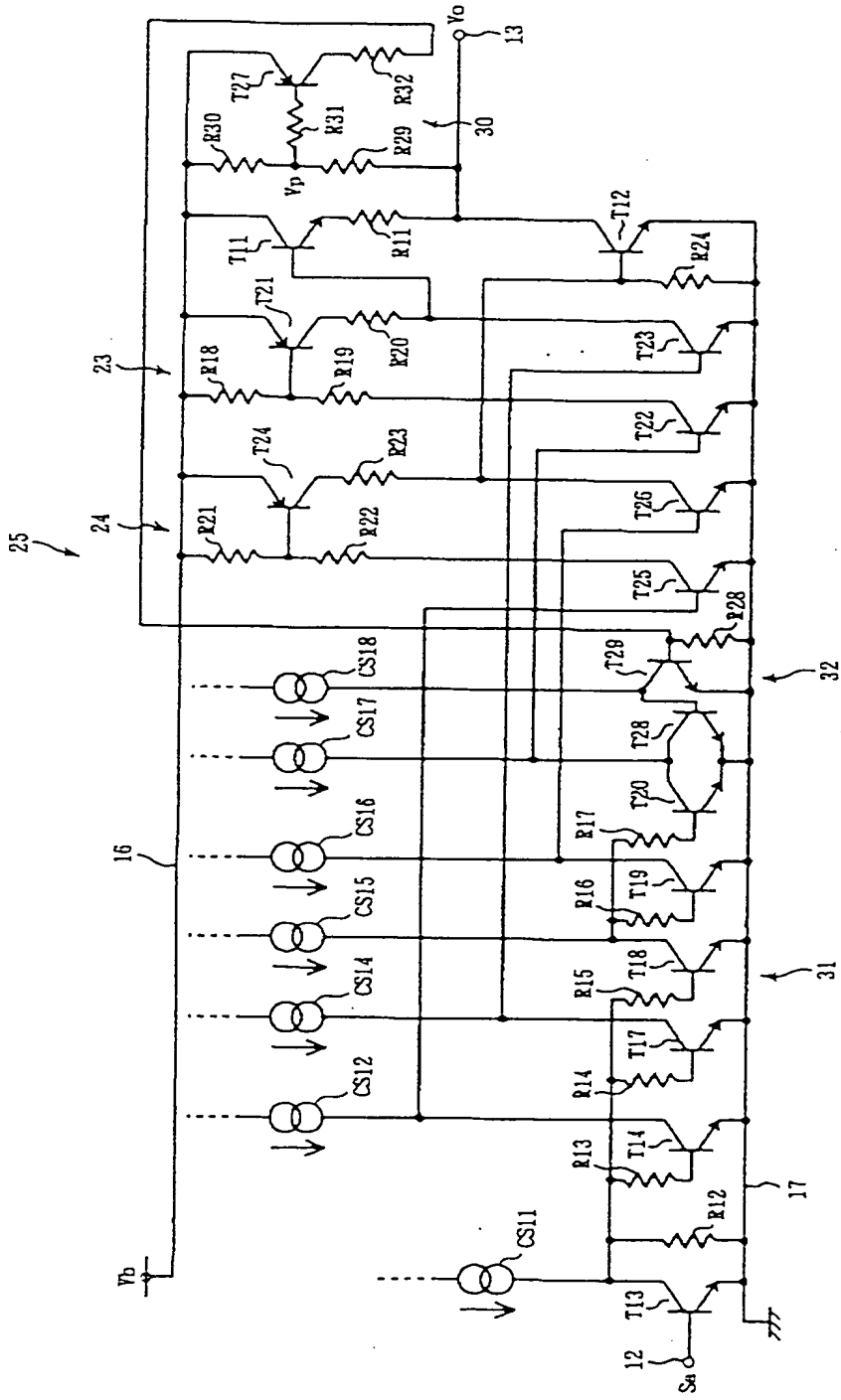


FIG. 5

FOR "BTFT650"

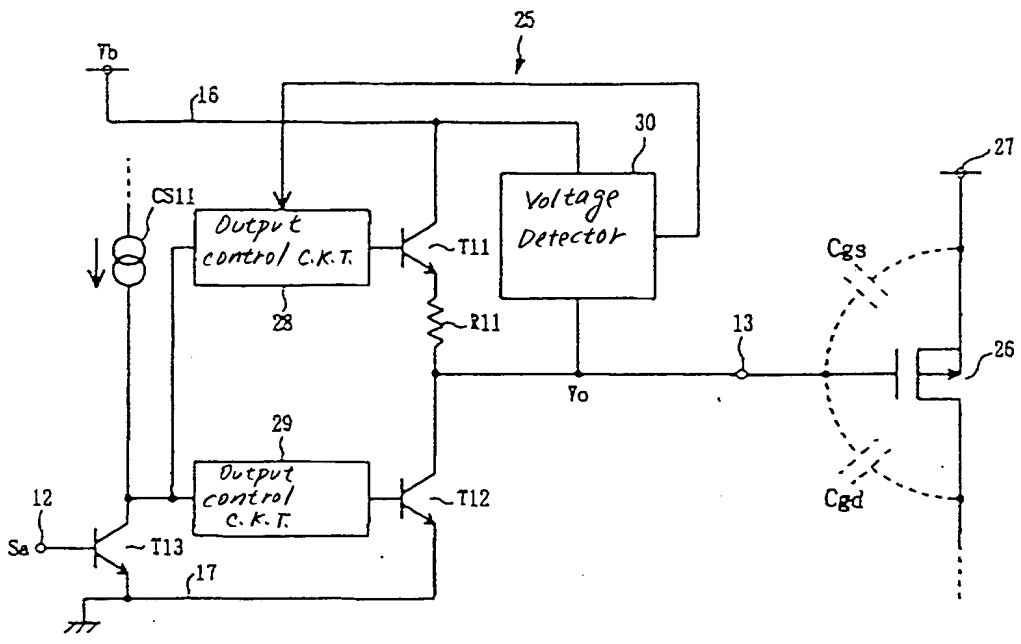


FIG. 6

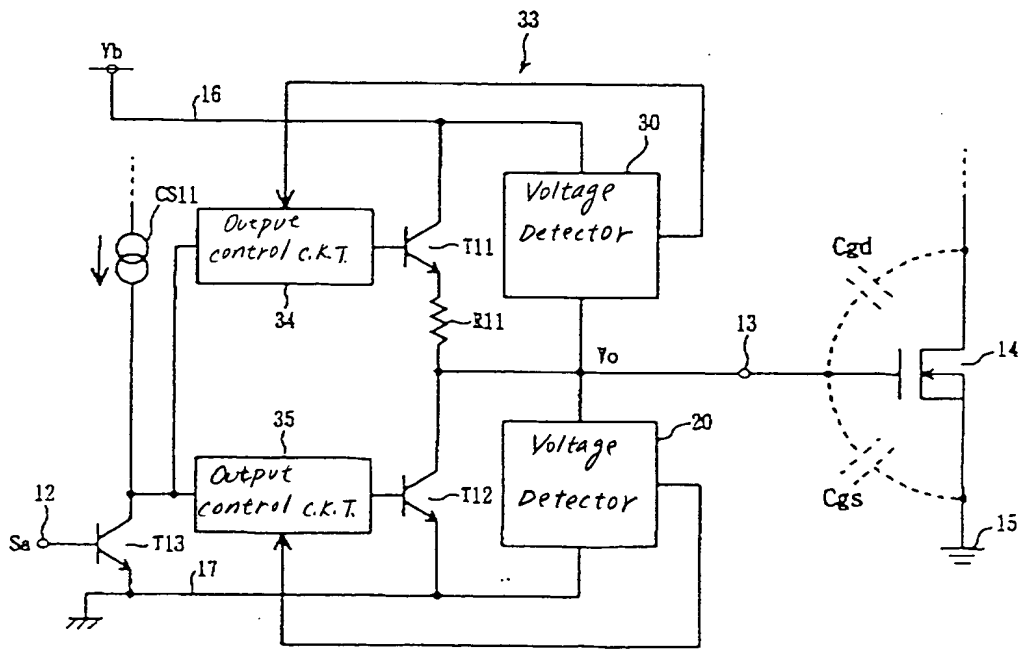


FIG. 7

FIG. 8

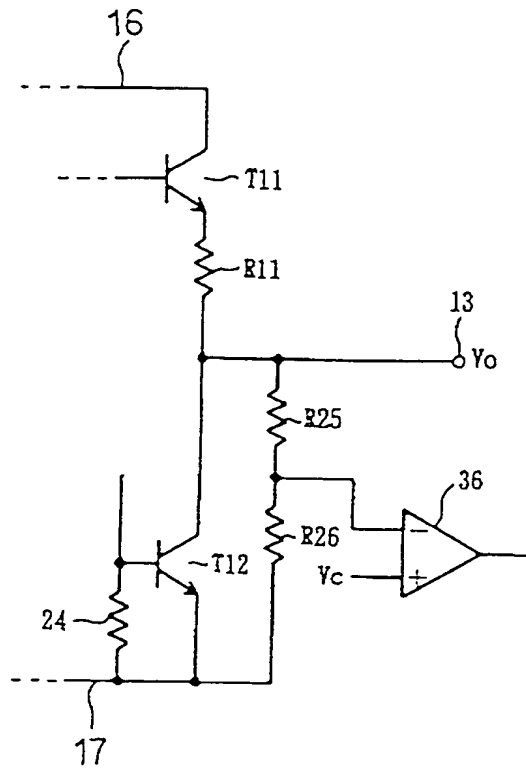


FIG. 8

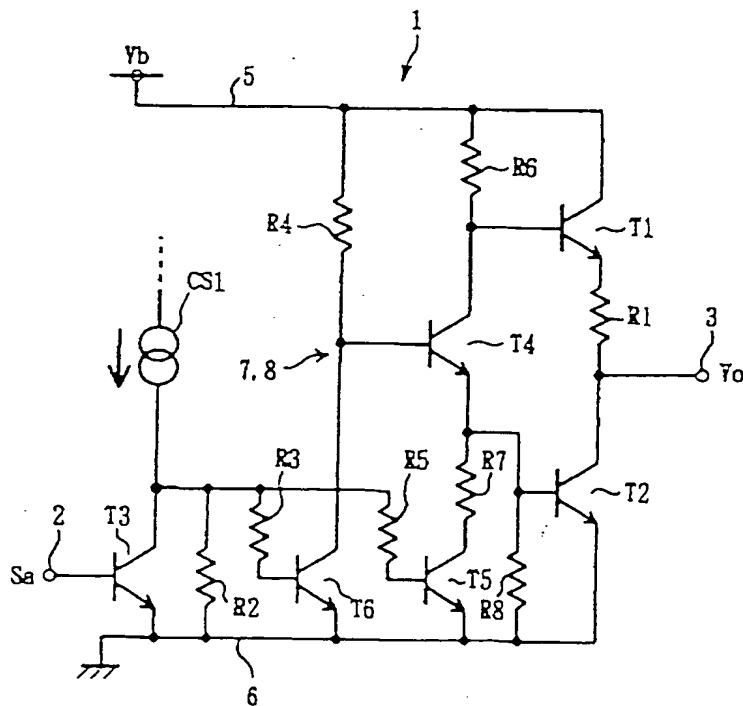


FIG. 9
PRIOR ART

FOH060"8FFH060

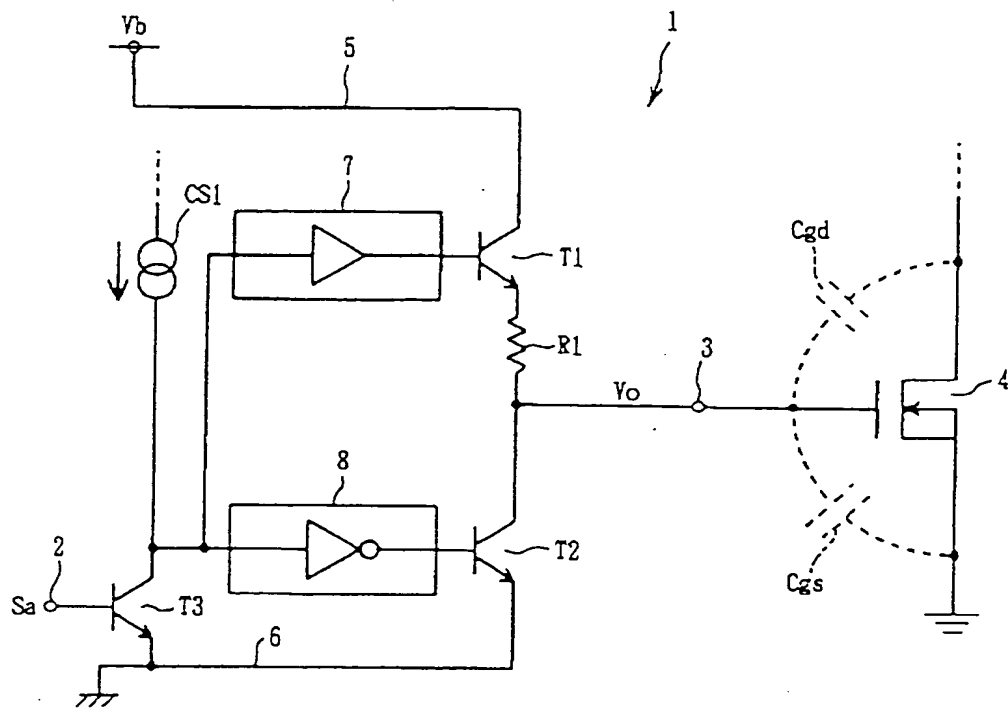


FIG. 10
PRIOR ART